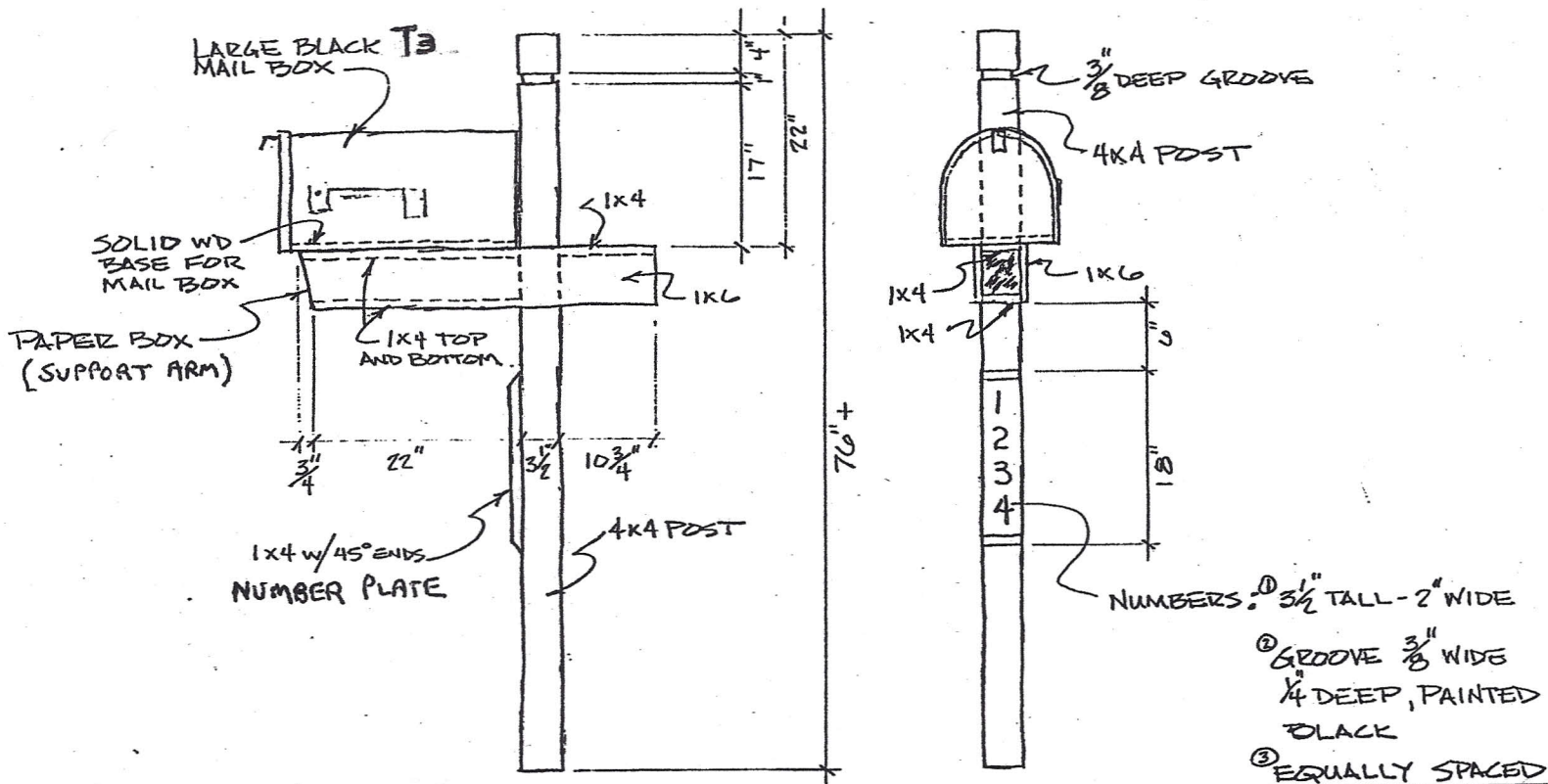


Approved Mail Box and Post Specification

The Village at Innsbrook Homeowners Association



Specification Notes:

1. Mail box is standard T3, painted black and found at local hardware stores.
2. Pressure treated wood is used for all other parts. (refer to options below)
3. Wood parts are to be painted with Sherwin Williams Semi-gloss Exterior Latex SW7071 "Gray Screen".
4. House numbers are cut into a wood panel and placed on front of post below mail box.
5. All numbers or letters must be painted black. Nail-on or stick-on numbers/letters are not approved.

Options and Suggestions:

1. Owner's name or additional house number may be cut into wood of support arm.
2. Check with VP/ACC for material substitutes for pressure treated wood.
3. Caulk all wood seams to keep out moisture and prevent rot.
4. Use galvanized wood screws on wood parts for strength and ease of repair.
5. Distance from street level to bottom of box should be approximately 38 inches.