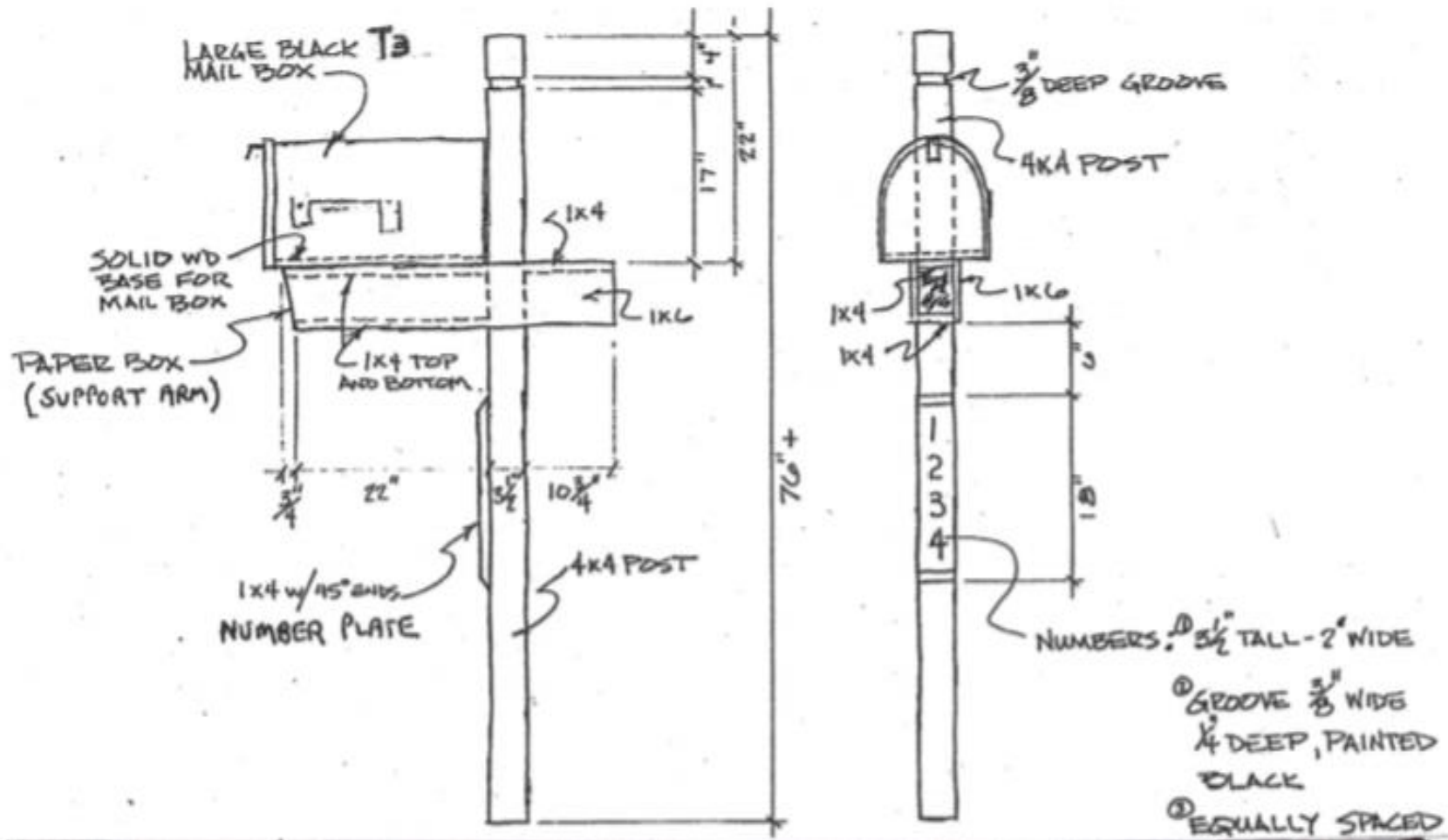


Mailbox Post Specification ...for over 25 years!



Mailbox Post Specifications



- Standard T3 Mailbox
- Approved design and dimensions
- Pressure treated wood or acceptable substitute
- Approximately 38" from street to bottom of box
- HOA provided approved paint!!
- ROUTED house # or name on front of post or support arm... and painted black



- No Nail-on or Stick on numbers/letters!
- No ornaments/additions on top (should be flat)
- No other color than authorized
- No with visible rot or falling down....
- No tacked on signs

What it Should Look Like



What it Shouldn't be....



And others that don't Comply



Multiple Colors



Nailed on numbers + post cap



Wrong Color!

Sign not permitted on post



Wrong Design & Dimensions